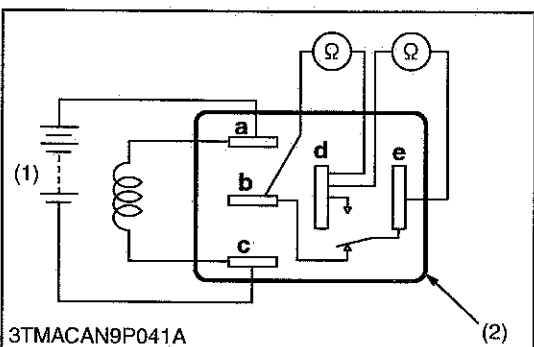
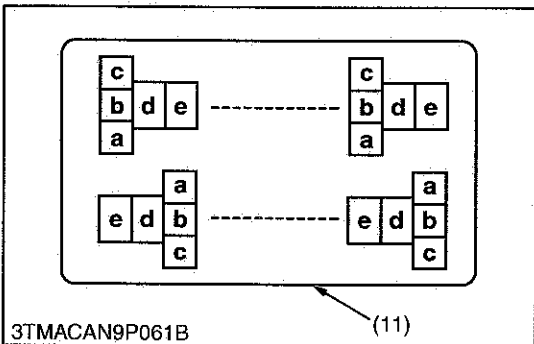
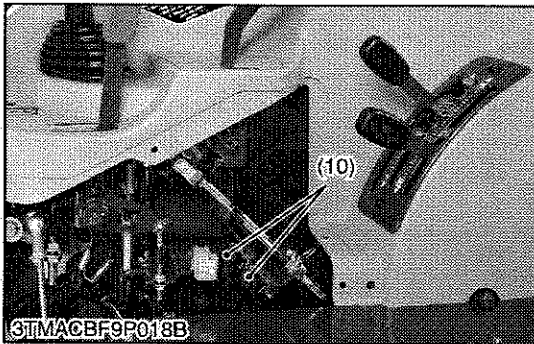
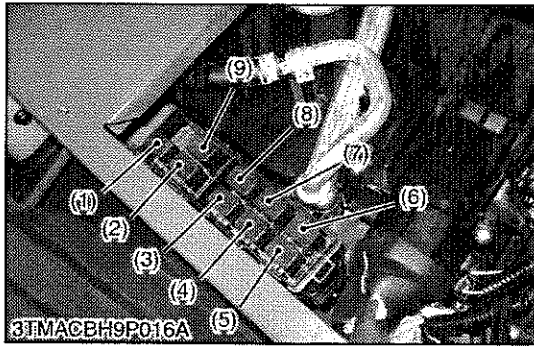


### (3) Relays (CABIN Model)



#### Checking Connector Voltage

1. Measure the voltage with a voltmeter across the battery terminal and chassis as table below.
2. If the voltage differs from the battery voltage, the wiring harness or fuse is faulty.

(1)	Wiper relay (front) (main switch at ACC position)	Terminal c – Chassis	Approx. battery voltage
(2)	Engine stop relay (main switch at ON position)	Terminal c – Chassis	Approx. battery voltage
(3)	Work light relay (front) (main switch at OFF position)	Terminal e – Chassis	Approx. battery voltage
(4)	Key stop relay (main switch at OFF position)	Terminal e – Chassis	Approx. battery voltage
(5)	A/C compressor relay (main switch at OFF position)	Terminal d – Chassis	Approx. battery voltage
(6)	Blower relay (main switch at OFF position)	Terminal d – Chassis	Approx. battery voltage
(7)	PTO safety relay (main switch at ON position and PTO lever OFF position)	Terminal c – Chassis	Approx. battery voltage
(8)	Work light relay (ACC relay) (main switch at OFF position)	Terminal e – Chassis	Approx. battery voltage
(9)	Blower high relay (main switch at ACC position)	Terminal c – Chassis	Approx. battery voltage

#### NOTE

- The defogger rear and side are option.

- |                              |                                  |
|------------------------------|----------------------------------|
| (1) Wiper Relay (Front)      | (7) PTO Safety Relay             |
| (2) Engine Stop Relay        | (8) Work Light Relay (ACC Relay) |
| (3) Work Light Relay (Front) | (9) Blower High Relay            |
| (4) Key Stop Relay           | (10) Defogger Relay (Rear/Side)  |
| (5) A/C Compressor Relay     | (Option)                         |
| (6) Blower Relay             | (11) Connector Box               |

W1030641

#### Functional Check

#### NOTE

- The relays described here are used same ones so that these are interchangeable.

1. Apply battery voltage across the terminals a and c, and check for continuity across the terminals d and e.
2. If continuity is not established across terminals d and e, replace it.

	b	d	e
At 0 voltage between terminal a and c	●		●
At battery voltage between terminal a and c		●	●

(1) Battery

(2) Connector (Relay)

W1031628